

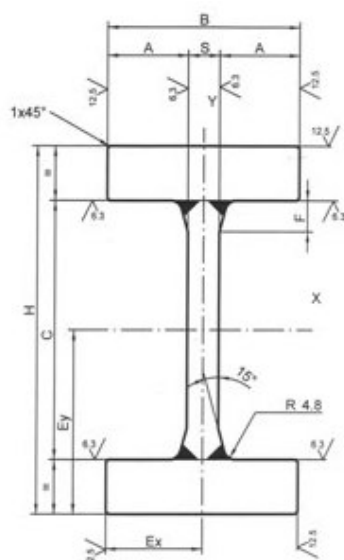
MATERIALE:

UNI Fe 510.C

DIN St 52.3

W Nr. 1.0553

EN 10025 S355JO



TIPO	Dimensioni								Massa Lineare Kg/m	Momenti di Inerzia		Moduli di resistenza	
	$C^{+0.2}$ mm.	H mm.	$B^{+0.7}$ mm.	$S^{+0.3}$ mm.	F mm.	A mm.	E_x mm.	E_y mm.		J_x cm ⁴	J_y cm ⁴	W_x cm ³	W_y cm ³
FI.108	108.0	153.0	80.0	13.0	13.5	33.5	40.0	76.5	39.8	1708.0	194.0	223.3	48.5
FI.123	123.3	176.0	90.0	15.0	15.0	37.5	45.0	88.0	52.3	2952.9	323.8	335.6	71.9
FI.149	149.3	205.0	118.0	15.0	15.0	50.0	59.0	102.5	72.9	5742.6	769.5	560.3	130.4