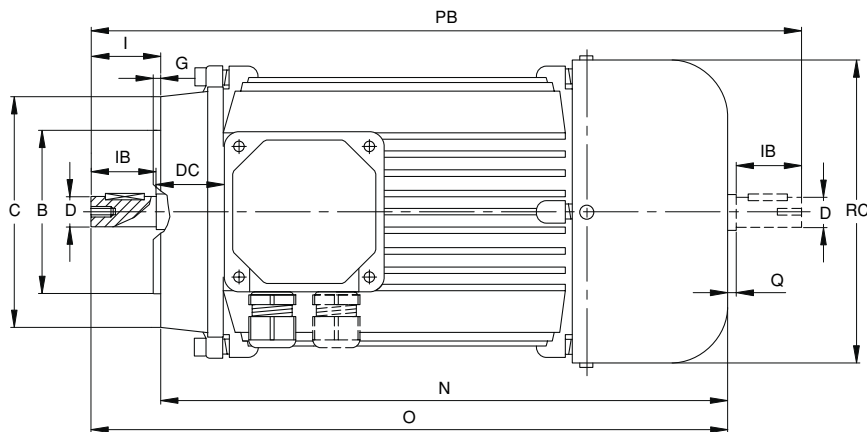
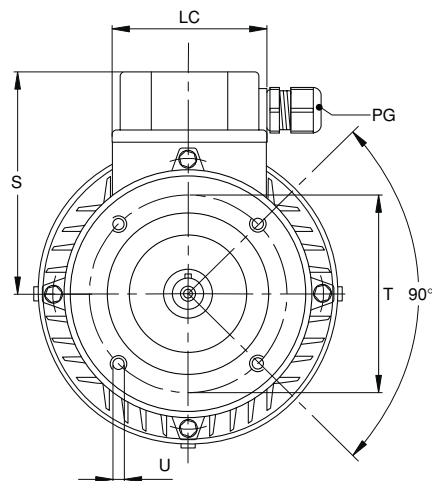


**Dimensioni motori trifase
e doppia polarità
serie T - DP - H - IN - IT* -
TS - SC**

**Dimensions of three-
phase and two-speed
motors series T - DP - H -
IN - IT* - TS - SC**

**Dimensions moteurs
triphases et à double
polarité série T - DP - H -
IN - IT* - TS - SC**

**Abmessungen der
Drehstrommotoren
und der polumschaltbaren
Motoren Serie T - DP - H -
IN - IT* - TS - SC**



B14

Grandezza Size Grandeur Größe	Dimensioni / Dimensions / Dimensions / Abmessungen																B14
	D	I	B	C	G	N	O	PG	RC	SD	T	U	PB	Q	LC	DC	
50A	9	20	50	80	2,5	125,0	145,0	M16	98	77	65	M5	-	-	56	20	20
50B	9	20	50	80	2,5	141,0	161,0	M16	98	77	65	M5	184,0	3	64	23	20
56	9	20	50	80	2,5	168,0	188,0	M16	110	95	65	M5	211,0	3	75	24	20
63	11	23	60	90	2,5	190,5	213,5	M16	123	100	75	M5	239,5	3	75	28	23
71	14	30	70	105	3,0	218,0	248,0	M16	137	109	85	M6	281,0	3	75	36	30
80	19	40	80	125	3,0	242,0	282,0	M20	156	123	100	M6	326,0	4	91	35	40
90S	24	50	95	140	3,0	255,0	305,0	M20	176	128	115	M8	358,0	3	91	40	50
90L	24	50	95	140	3,0	280,0	330,0	M20	176	128	115	M8	383,0	3	91	40	50
100	28	60	110	160	4,0	312,0	372,0	M20	194	140	130	M8	437,0	5	91	45	60
112	28	60	110	160	4,0	330,0	390,0	M20	218	148	130	M8	455,0	5	91	47	60
132S	38	80	130	200	4,0	380,5	460,5	M32	258	177	165	M10	546,5	6	106	57	80
132M	38	80	130	200	4,0	418,5	498,5	M32	258	177	165	M10	584,5	6	106	57	80
160M	42	110	180	250	4,0	491,0	601,0	M32	309	220	215	M12	718,0	7	165	118	110
160L	42	110	180	250	4,0	535,0	645,0	M32	309	220	215	M12	-	-	165	118	110