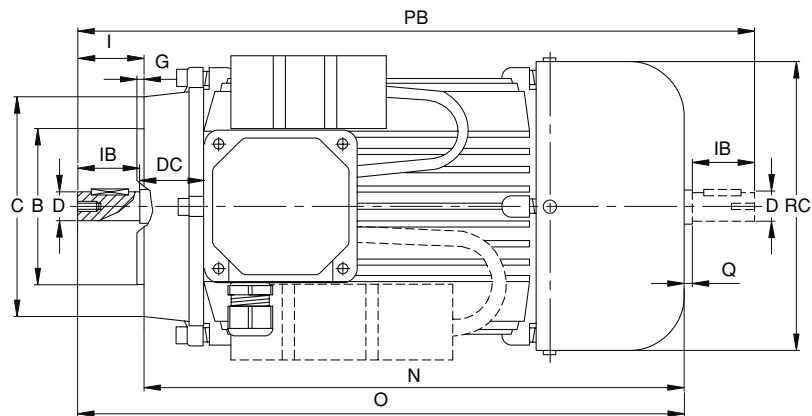
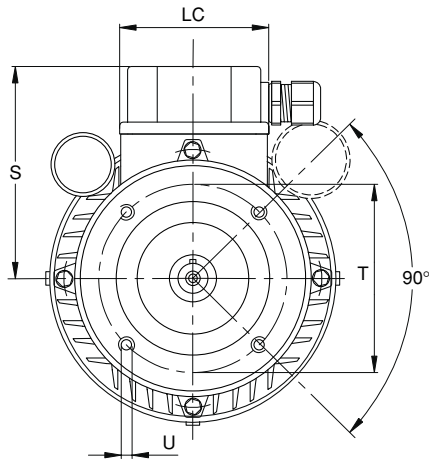


**Dimensioni motori
monofase e monofase ad
alta coppia di spunto
serie M - MA - ME - MD -
MV - MC* - CD* - CV***

**Dimensions of single-
phase motors and single-
phase motors with high
locked rotor torque
series M - MA - ME - MD -
MV - MC* - CD* - CV***

**Dimensions moteurs
monophasés et
monophasés à couple
élevé de démarrage série
M - MA - ME - MD - MV -
MC* - CD* - CV***

**Abmessungen der Wechsel-
strommotoren und der
Wechselstrommotoren mit
hohem Anlauf-drehmoment
Serie M - MA - ME - MD - MV
- MC* - CD* - CV***



B14

Grandezza Size Grandeur Größe	Dimensioni / Dimensions / Dimensions / Abmessungen																B14
	D	I	B	C	T	G	N	O	PG	RC	SD	U	PB	Q	LC	DC	
50A	9	20	50	80	65	2,5	125,0	145,0	M16	98	77	M5	-	-	56	20	20
50B	9	20	50	80	65	2,5	142,0	162,0	M16	98	77	M5	-	-	64	23	20
56	9	20	50	80	65	2,5	168,0	188,0	M16	110	95	M5	211,0	3	75	24	20
63	11	23	60	90	75	2,5	190,5	213,5	M16	123	100	M5	239,5	3	75	28	23
71	14	30	70	105	85	3,0	218,0	248,0	M16	137	109	M6	281,0	3	75	36	30
80	19	40	80	125	100	3,0	242,0	282,0	M20	156	123	M6	326,0	4	91	35	40
90S	24	50	95	140	115	3,0	255,0	305,0	M20	176	128	M8	358,0	3	91	40	50
90L	24	50	95	140	115	3,0	280,0	330,0	M20	176	128	M8	383,0	3	91	40	50
100	28	60	110	160	130	4,0	312,0	372,0	M20	194	140	M8	437,0	5	91	45	60

** quote O/N - contattare ufficio tecnico

** value O/N - get in touch with the Technical Office

** Cote O/N - contacter de service technique

** Wert O/N - anrufen des technische Büro