

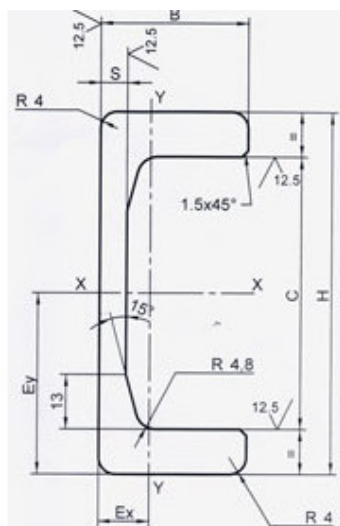
**MATERIALE:**

UNI Fe 510.C

DIN St 52.3

W Nr. 1.0553

EN 10025 S355JO

**DATI TECNICI**

TIPO	Dimensioni						Massa Lineare Kg/m	Momenti di inerzia		Moduli di resistenza	
	$C_0^{+0.2}$ mm.	H mm.	B mm.	$S_{-0.3}^0$ mm.	Ex mm.	Ey mm.		Jx cm <sup>4</sup>	Jy cm <sup>4</sup>	Wx cm <sup>3</sup>	Wy cm <sup>3</sup>
EC 065L	65	86.5	35	6.5	12.09	43.25	9.44	125.1	12.9	28.9	10.7
EC 074L	74	103	39	7	14.22	51.5	13.14	248.9	23.2	48.3	16.3
EC 082L	82	121	39.2	9	14.44	60.5	17.87	439.1	30.3	73.4	21.4
EC 093L	93	135.5	51	11	18.94	67.75	25.16	792.0	75.0	116.9	39.6
EC 112L	112	157	59	12	21.46	78.5	31.47	1357.5	126.8	172.9	59.1
EC 128L	128	175	64	14	22	87.5	37.71	1976	187	198	66.4
EC 154L	154	201	69	17	22.80	100.5	45.98	3105	235	269.4	74.8